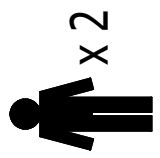
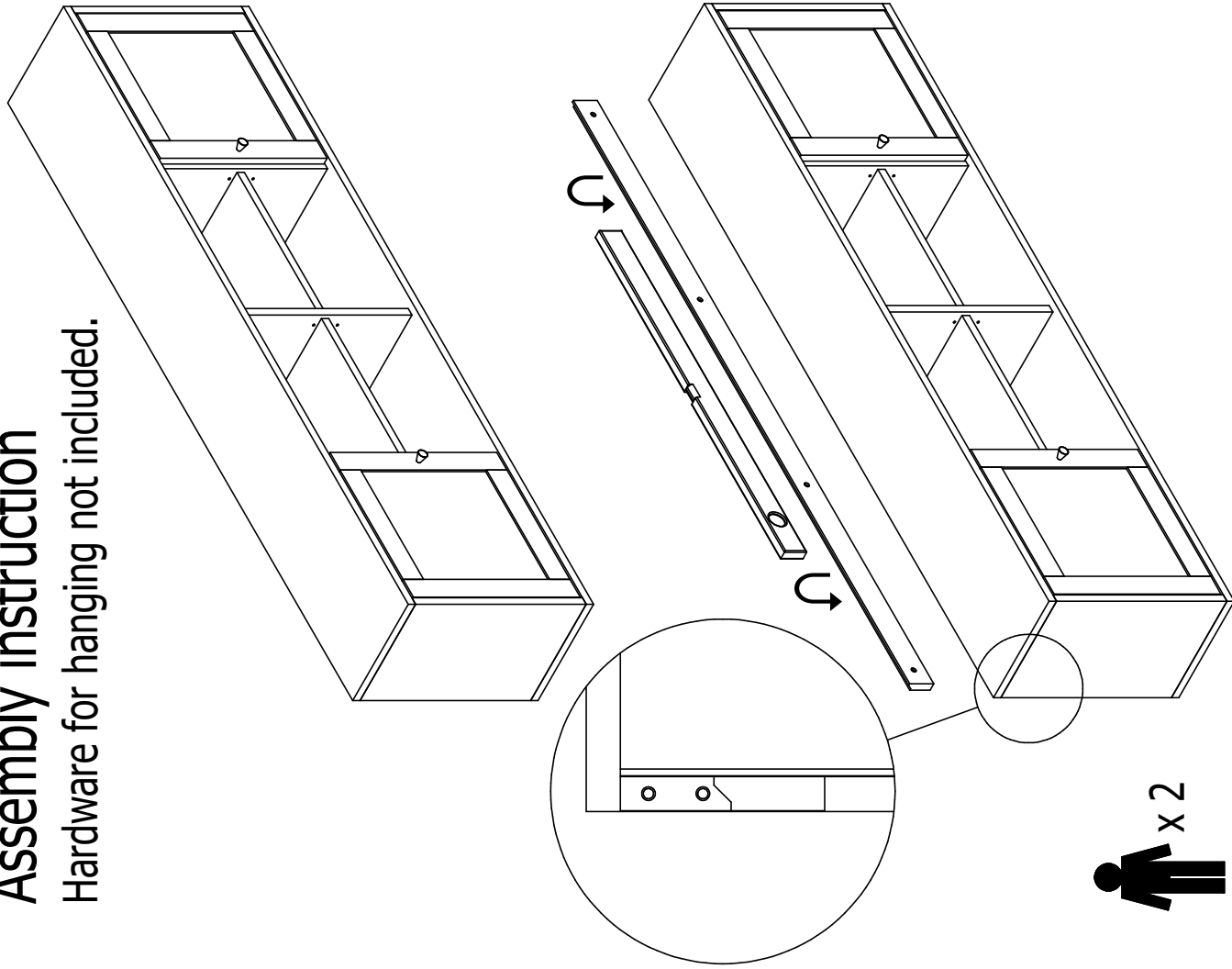
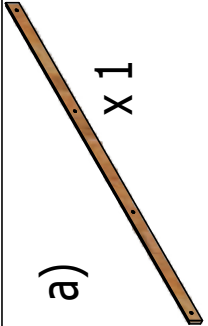




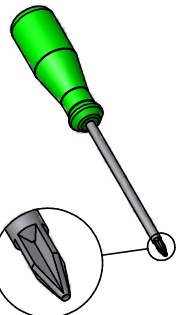
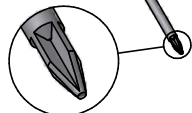
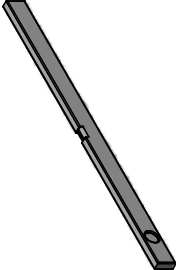


# Assembly instruction

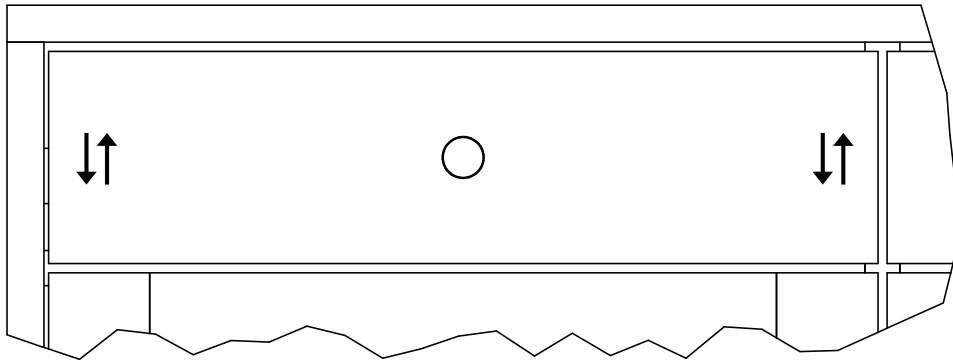
Hardware for hanging not included.



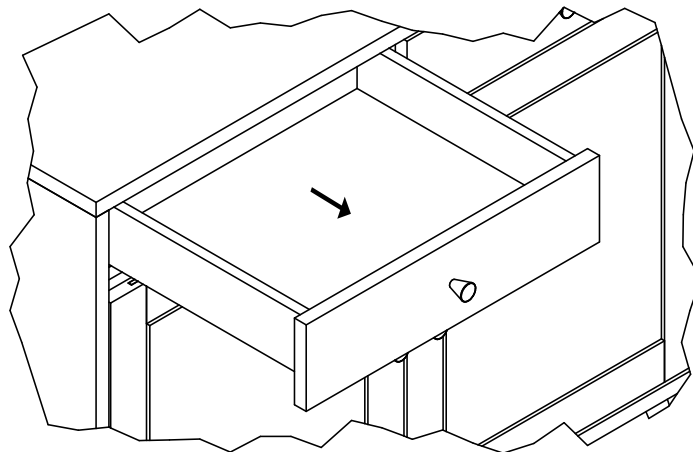
a)  x 1	
b)  x 8	
c)  x 8	
d)  x 2	
e)  x 2	
 	

# Drawer Regulation Scheme

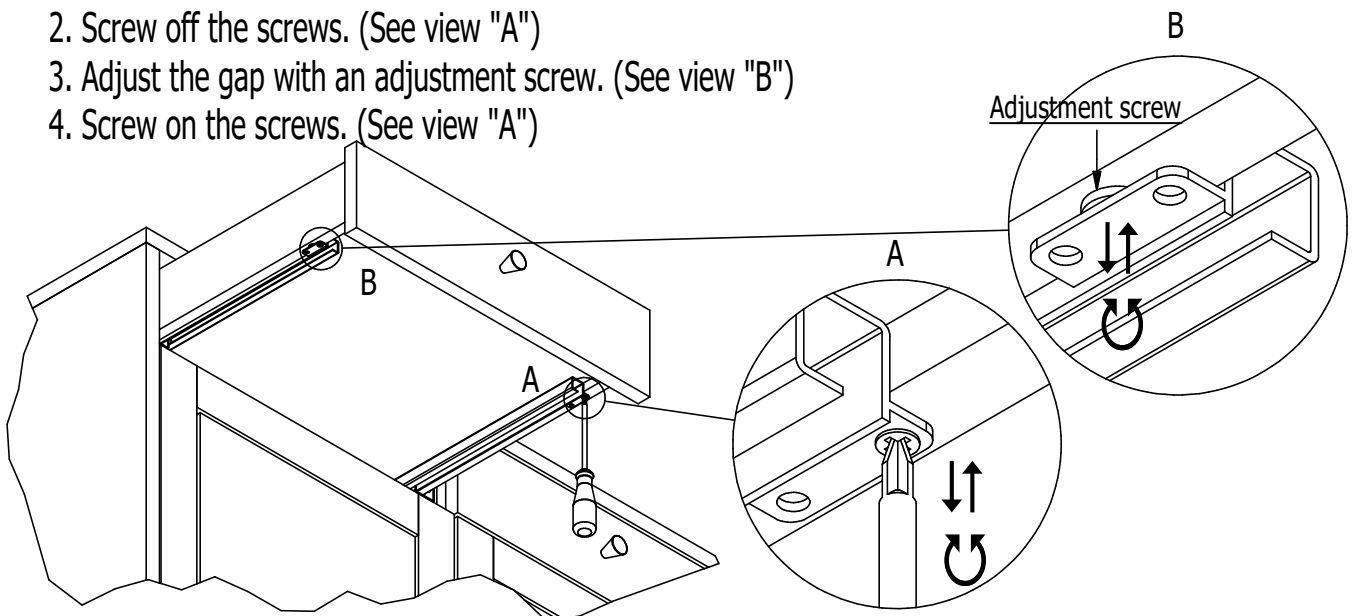
To make the equal gaps between drawers you need:



1. Open the drawer.

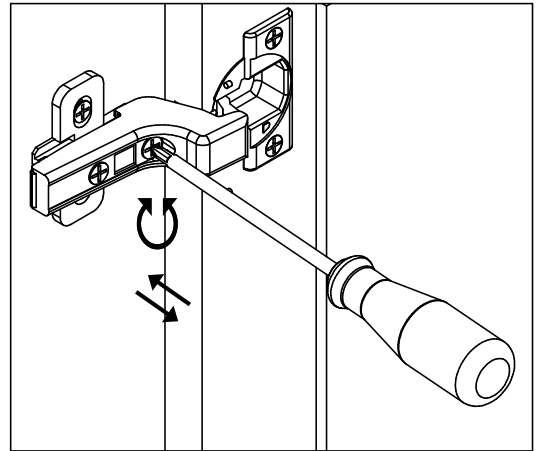
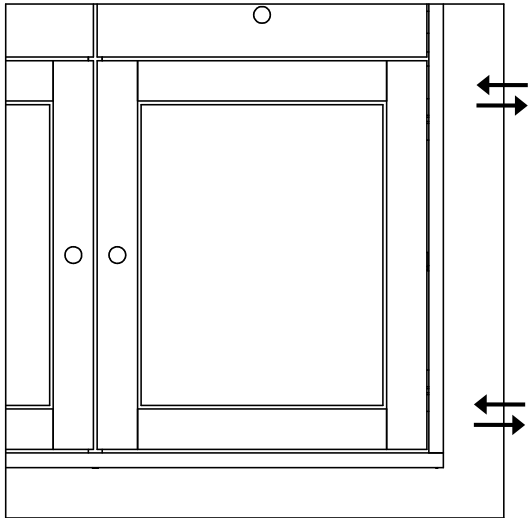


2. Screw off the screws. (See view "A")
3. Adjust the gap with an adjustment screw. (See view "B")
4. Screw on the screws. (See view "A")

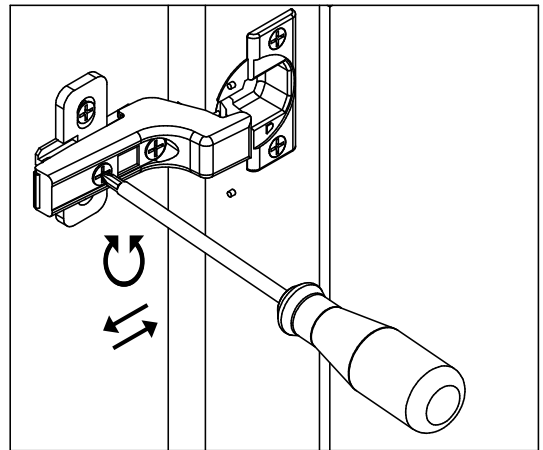
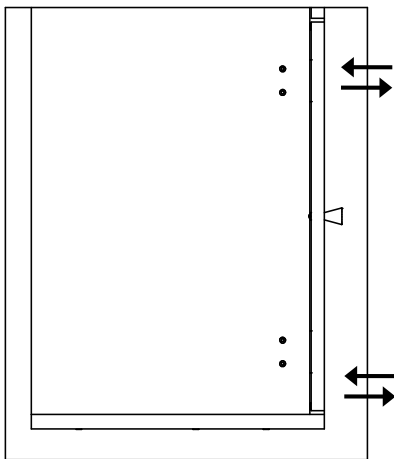


# Door Regulation Scheme

①



②



③

